

Arch Handles

Stainless Steel

SPECIFICATION

Types

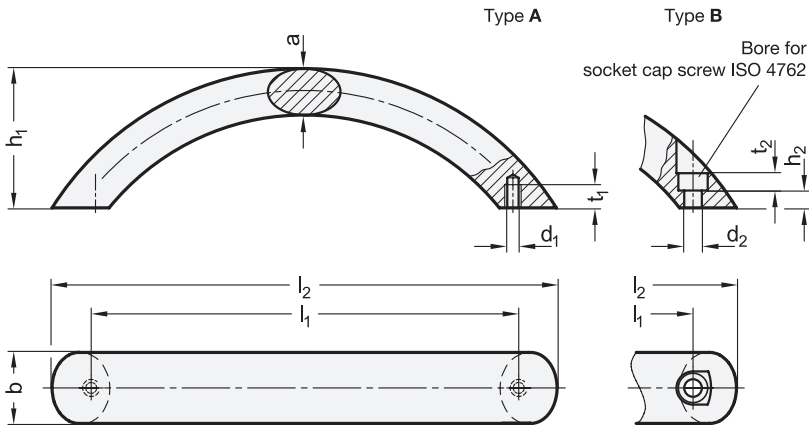
- Type **A**: Mounting from the back (threaded blind bore)
- Type **B**: Mounting from the operator's side

Stainless steel AISI 304

Matte shot-blasted finish **MT**

TECHNICAL INFORMATION

- Load Rating Information (see page A35)
- Stainless Steel Characteristics (see page A26)



GN 565.9-A

STAINLESS STEEL

Description	b	l ₁	a	d ₁	h ₁ ≈	l ₂ ≈	t ₁ min.	⚖
GN 565.9-20-160-A-MT	20	160	13	M 6	50	185	8	310
GN 565.9-20-192-A-MT	20	192	13	M 6	50	221	8	358

GN 565.9-B

STAINLESS STEEL

Description	b	l ₁	a	d ₂	h ₁ ≈	h ₂	l ₂ ≈	t ₂	⚖
GN 565.9-20-160-B-MT	20	160	13	5.3	50	5	185	5	306
GN 565.9-20-192-B-MT	20	192	13	5.3	50	5	221	5	350